

August 30, 2019

Clarification Package - Request For Proposals

STRUCTURED CABLING AND LOW-VOLTAGE DEVICE INSTALLATION

Shoreline Family Health Care

1. #5 in Scope of Work states quantity of 4 drops in each of the rooms listed, however, the print shows 1, 2 and 4 drops in red. Do we go by the print, or #5 description? **The Print; the number of drops indicated at each location on the drawing supersedes the written note**
2. Are we supplying the WAPs? If so, what make/model? **No, WAPs are not in the cabling vendor scope**
3. Are we supplying the overhead speakers? **No, the speakers are not in the cabling vendor scope**
4. Are we supplying the monitors in #8? Are we mounting the large monitors? **No, neither the monitors nor the brackets are in the cabling vendor scope; final location of the feeds for the monitors (hgt on wall) will be coordinated in the field**
5. In room 153 Mail/copy room there are 2 data symbols with 3 red number 2's in the room. Is that 3- 2 drop locations or 2- 2drop locations? **A data symbol is missing; provide 3 drops with 2 ports in each, plus one wall phone drop**
6. All access point indicate one cable except room111,112 IOP/group rooms indicate 2 drops for each access point, is this correct? **Correction: ALL WAP locations should receive 1 (one) drop**
7. Is the low- voltage contractor to install the card readers and keypad cables for the owner's security vendors? **No security devices are included in the cabling vendor scope**
8. #4 states install 4 post rack 'as shown on attached diagram'. We need the diagram as it wasn't attached. **Missing RFP attachments are included in this clarification package**

Additional Scope at Pharmacy Space

Additional requirements for cabling within the pharmacy space are attached to this clarifications package. Requirements include: 10 lines in adjacent wall to be terminated in millwork/work counter; 2 drops on sink wall as shown on the original location drawing; 7 lines to be run and coiled above ceiling for future camera installation; 20 additional lines, termination locations TBD; 1 WAP as shown on the original location drawing.

Response Due Date Extension

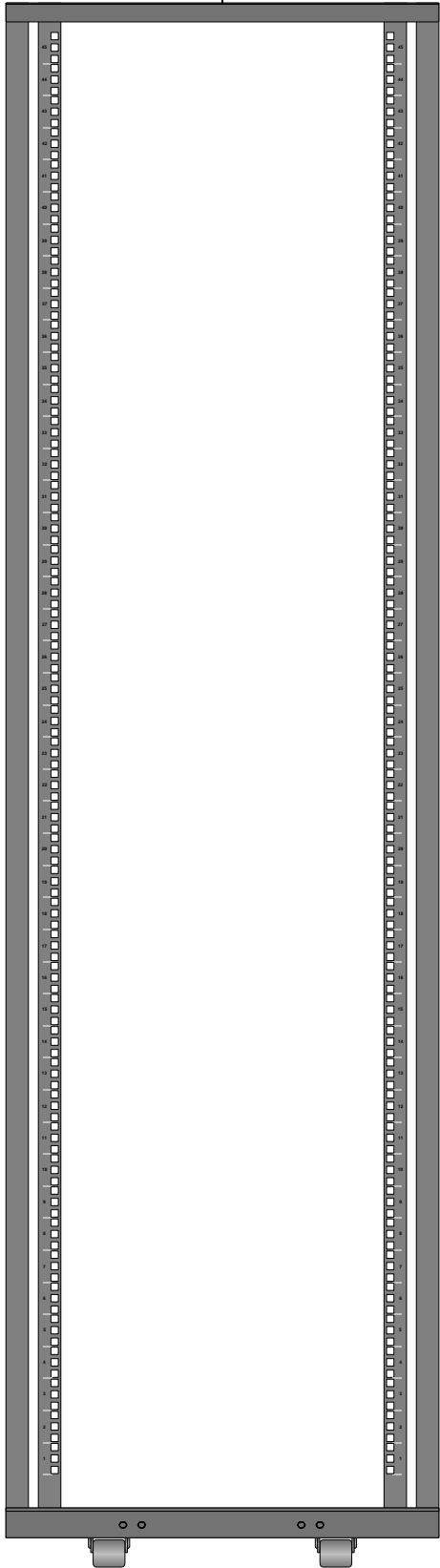
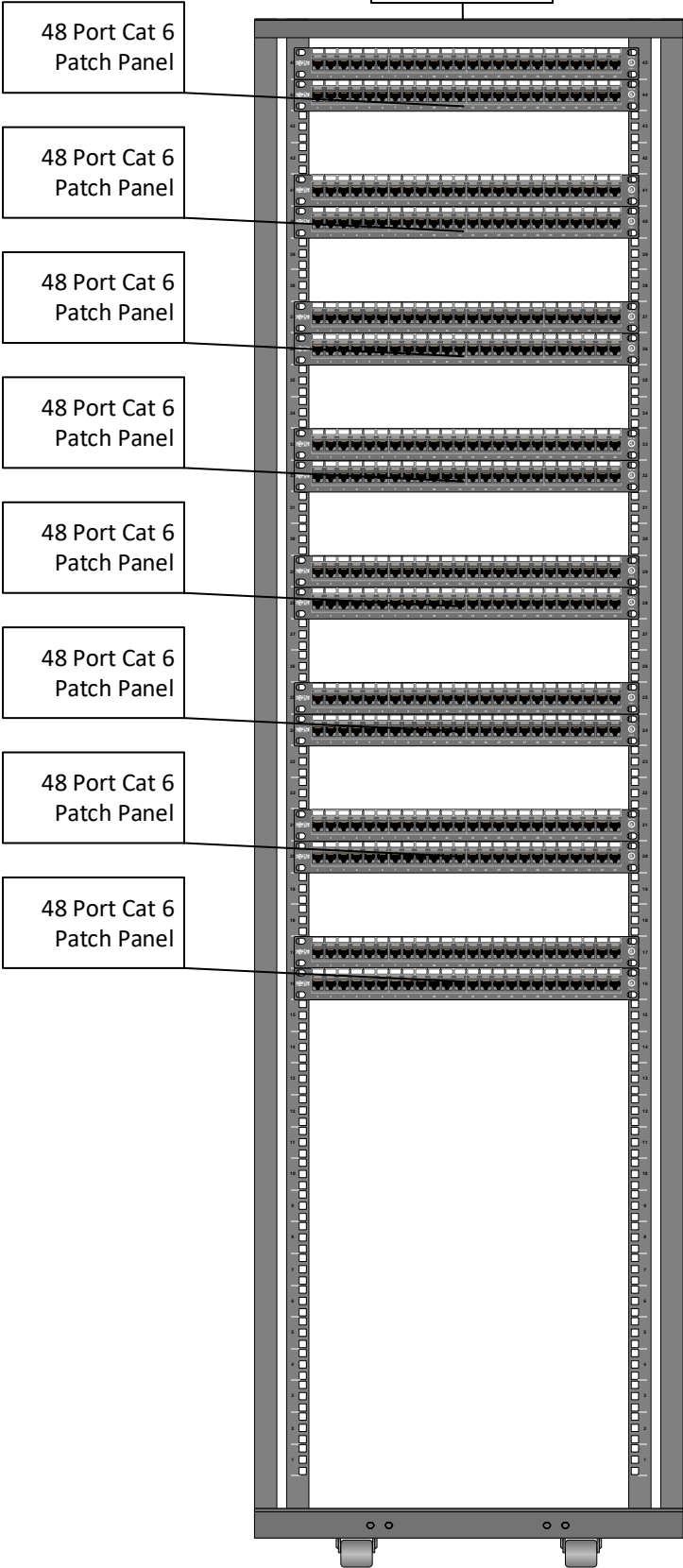
The deadline for proposal submission has been extended. Proposals must be received by **12:00PM Eastern Daylight Time on Friday September 6, 2019** in the Administrative Offices of Fair Haven Community Health Clinic, Inc., 374 Grand Avenue, Fair Haven, CT 06513, Attention: Camila Rubino, R.N, MSN, V.P of Operations, Fair Haven Community Health Clinic, Inc.

Proposals may be either in hard copy or by email c.rubino@fhchc.org.

Branford Patch Panel Layout

Tripp Lite 42U
SR2400 4 Post
rack w/ side
panels and
doors

Tripp Lite 42U
SR2400 4 Post
rack w/ side
panels and
doors



MODEL:

SR2400

SmartRack® 42U Value Series Standard-Depth Rack Enclosure Cabinet



42 Rack Units



2400 lb.
Stationary
Load Capacity



1600 lb.
Rolling
Load Capacity



Heavy-Duty
Casters



Locking Doors &
Side Panels



Standard
19 in.
Rack Width



Toolless
Mounting Slots



Adjustable
Rails with
Easy-View
Depth Index



Airflow
Exceeds
Server OEM
Requirements



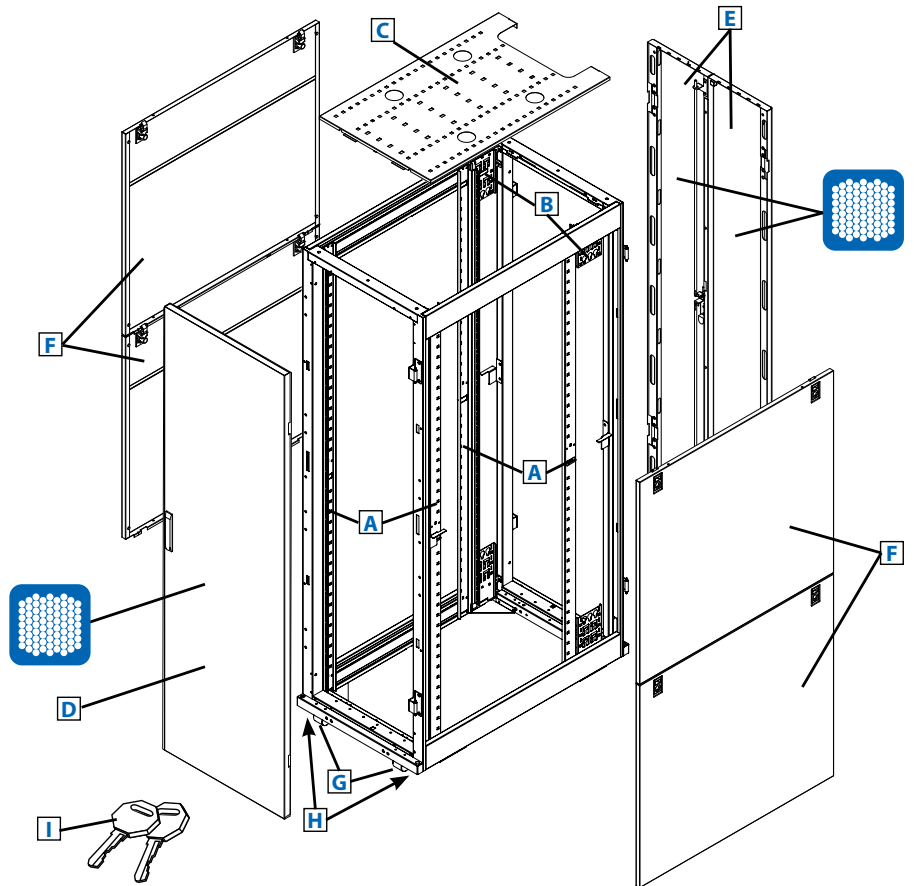
Integrated
Baying Tabs



Square Hole
Mounting

- A** Adjustable Mounting Rails
- B** Toolless Mounting Slots
- C** Roof Panel (Removable)
- D** Front Door
(Lockable/Removable/Reversible)
- E** Split Rear Doors
(Lockable/Removable)
- F** Side Panels
(Lockable/Removable)
- G** Heavy-Duty Casters
- H** Heavy-Duty Levelers
- I** Keys
(For doors and side panels.)

Also Includes: Owner's manual,
2 shipping/stabilizing brackets and
equipment-mounting hardware (50 M6 cage
nuts, 50 M6 washers, 50 M6 screws)



- Ships fully assembled for rapid deployment, but can be knocked down for easy reassembly in confined spaces
- Rolls into place on heavy-duty pre-installed removable casters
- Ideal for rack-mount server, network and telecom applications

Specifications

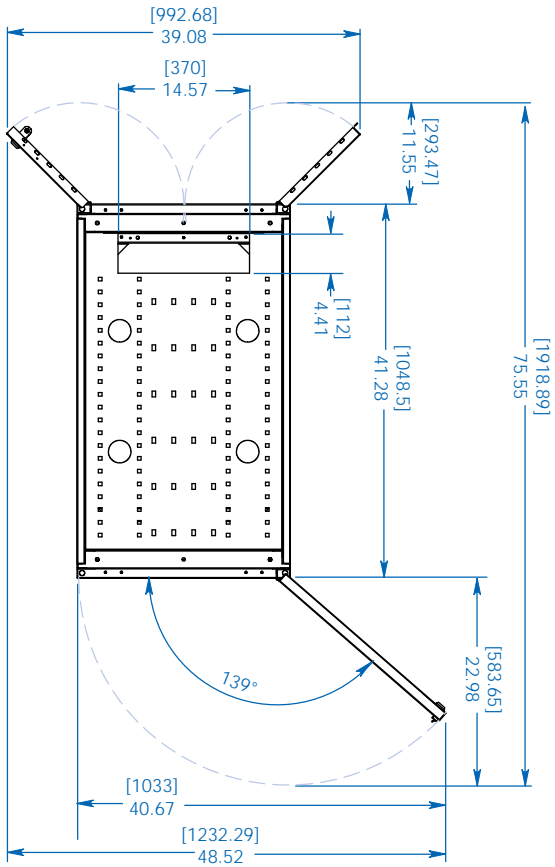
Model	SR2400
Rack Spaces	42U
Stationary Load Capacity	2400 lb. (1089 kg)
Rolling Load Capacity	1600 lb. (726 kg)
Unit Dimensions (H x W x D)	78.4 x 23.6 x 41.3 in. (1991 x 599 x 1049 mm)
Shipping Dimensions (H x W x D)	84.5 x 27.75 x 47 in. (2146 x 705 x 1194 mm)
Unit Weight	265 lb. (120 kg)
Shipping Weight	288 lb. (131 kg)
Standards	Meets EIA/ECA-310-E, RoHS, CE and UL 60950 (Accommodates all standard rack-mount equipment regardless of vendor.)



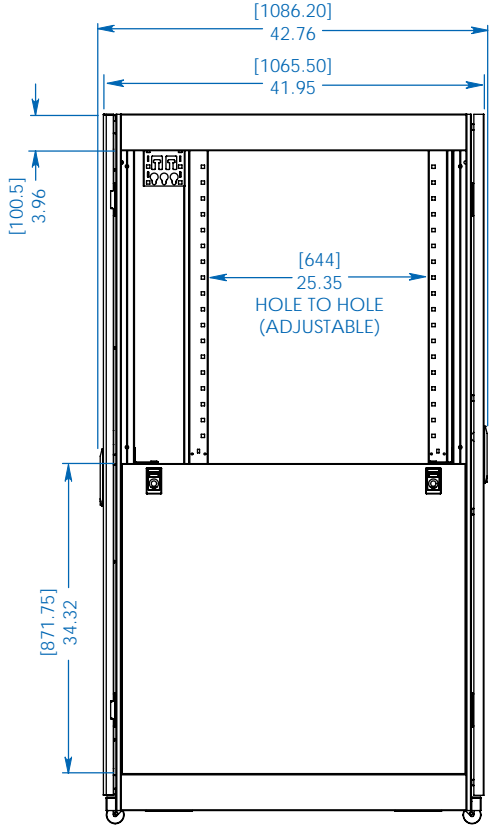
SEE NEXT PAGE FOR DETAILED UNIT MEASUREMENTS



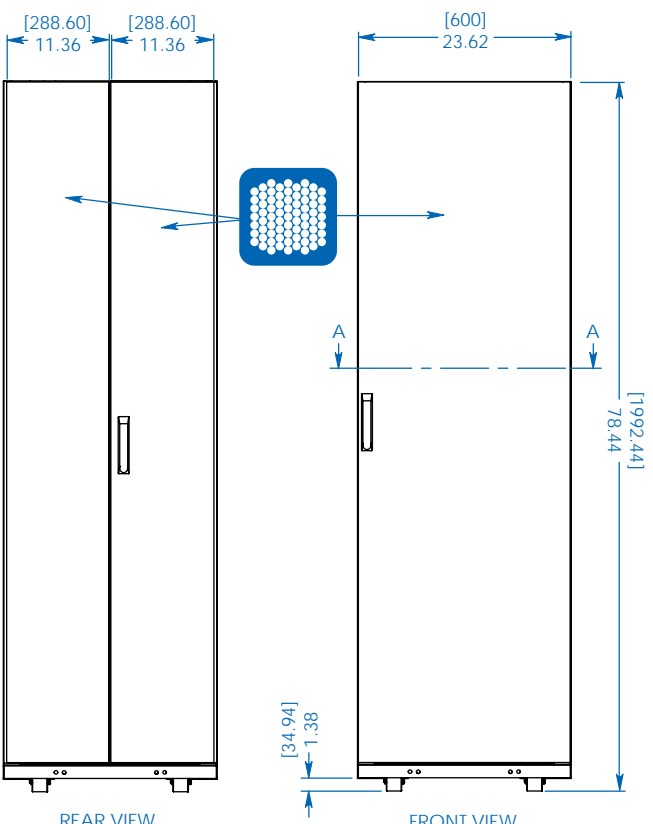
1111 W. 35th Street
Chicago, IL 60609 USA
773.869.1234
www.tripplite.com



TOP VIEW

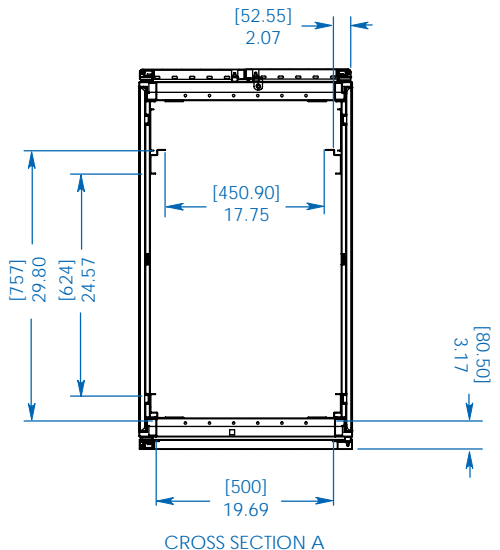


SIDE VIEW



REAR VIEW

FRONT VIEW



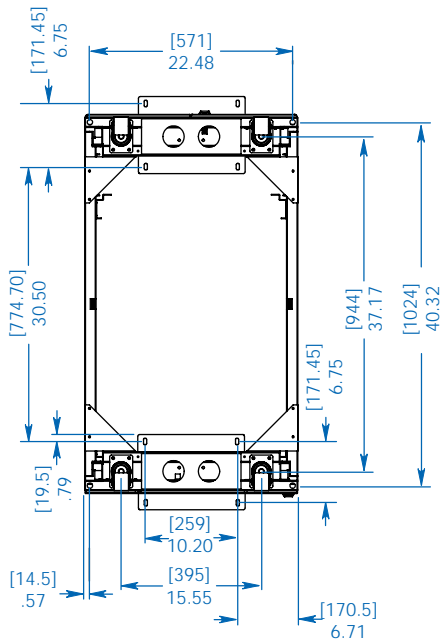
CROSS SECTION A

MODEL:
SR2400

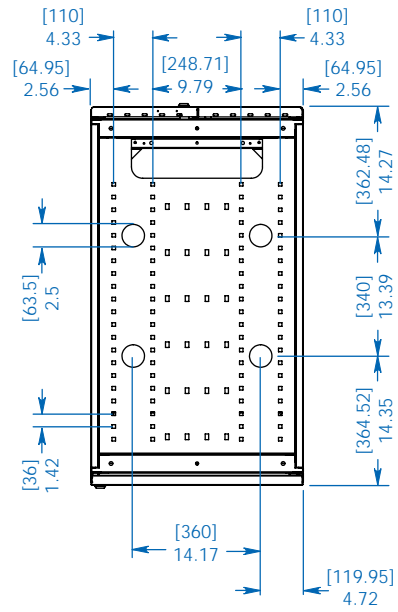


Dimensions: [mm] INCHES

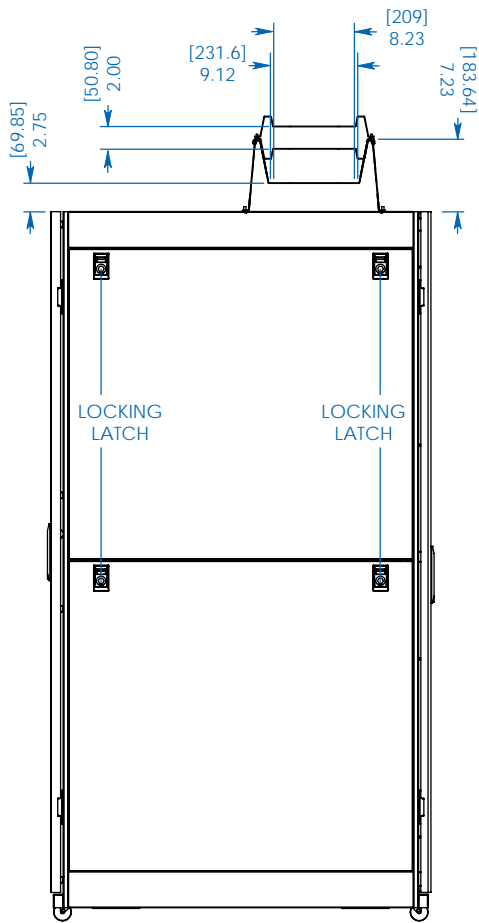
Tripp Lite has a policy of continuous improvement. Specifications are subject to change without notice.



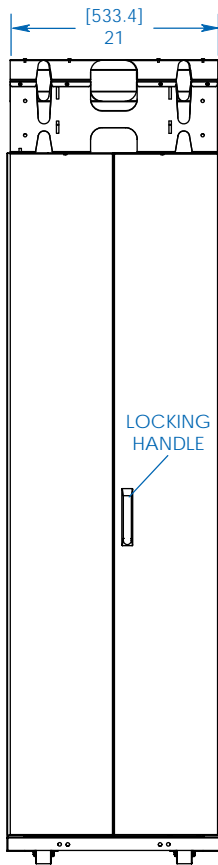
BOTTOM VIEW



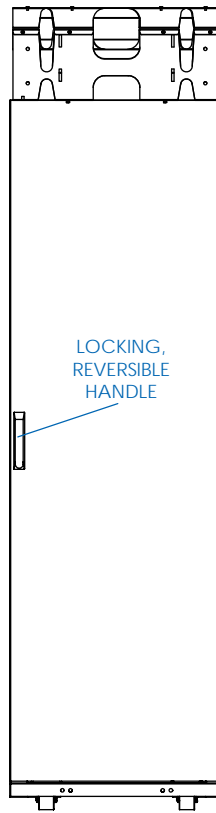
TOP VIEW



SIDE VIEW



REAR VIEW



FRONT VIEW

OPTIONAL SRCABLETRAY AND SRCABLETRAYEXP CABLE MANAGEMENT ACCESSORIES SHOWN (MOUNTING POSITION ADJUSTS TO ACCOMMODATE A WIDE RANGE OF APPLICATIONS)

MODEL:
SR2400



1111 W. 35th Street
Chicago, IL 60609 USA
773.869.1234

www.tripplite.com

Dimensions: [mm] INCHES

Tripp Lite has a policy of continuous improvement. Specifications are subject to change without notice.

sink drain w/ hot & cold water, final hook up of sink after cabinets are set. sink, faucet & strainer provided by owner

quad outlet and 2 data outlets 52" above floor

duplex outlet for refrigerator

duplex convience outlet

NOTE:

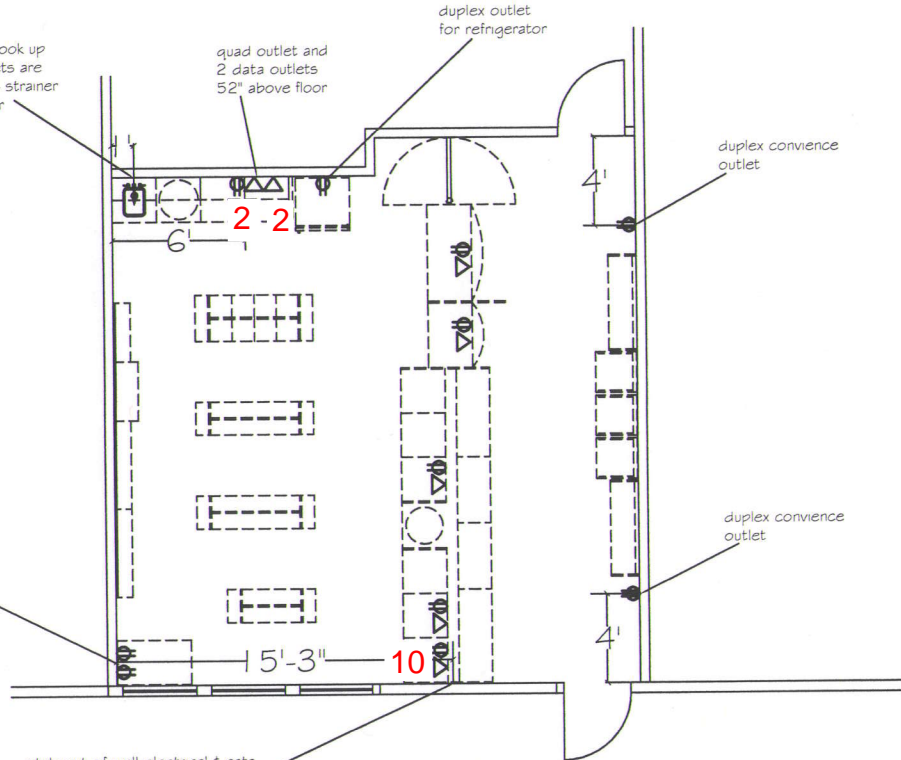
provide 7 additional data lines above ceiling for security cametas, these are in addition to those shown on the drawing. owner will provide location of cameras.

20 additional cable lines should be run to the Pharmacy space and left above the ceiling until termination locations are identified

outlets

duplex convience outlet

stub out of wall electrical & cata lines, install quad outlets and data connections in base cabinets where shown after cabinets are set.



DATA PLAN

 **PHARMACY DESIGN ASSOCIATES**
DESIGN-FIXTURES-INSTALLATION
116 RIVERS EDGE RD. N.
ST. AUGUSTINE, FL 32092
(904) 673-8969

DRAWN EXCLUSIVELY FOR:	COMMUNITY BENZER PHARMACY
	WETHERSFIELD, CT.
	FILE NAME:

DATE:	4-25-19
DRAWN BY:	GENE BANNON
SCALE:	